

MAINTENANCE RULES

hushlock



- 1 The furniture must be used in accordance with its intended purpose and construction, as well as the transport and use instructions and other instructions (if applicable) in enclosed spaces protected from harmful atmospheric factors.
- 2 Room floors must be horizontal, even and protected against humidity.
- 3 Sharp-edged objects (briefcases, laptops, metal-covered files) or rough surfaces can scratch furniture, so the use of shims is recommended.
- 4 When loading shelves, remember to observe conditions such as even loading over the entire shelf surface.
- 5 The air temperature in the rooms should be between 18 and 30° C, and the relative humidity should be 40/70%. If veneer furniture is placed within 1 m of functioning radiators, the Seller should be consulted.
- 6 Surfaces must be protected from direct heat, humidity and corrosive substances.
- 7 The correct method of assembly and the number of additional components and accessories are specified in the assembly instructions for the relevant type of furniture.
- 8 In the case of upholstered furniture, strong pressure at one point should be avoided as the upholstery fabric may tear, split or become fragile.

SAFETY INSTRUCTIONS

hushlock

AVAILABLE INDICES: HSL-SL-111/114 ; HSL-SL-211/214; HSL-SL-311/314; HSL-SL-411/414; HSL-SL-112/113; HLS-SL-113; HSL-SL-212/213; HLS-SL-312/313; HSL-SL-412/413; HSL-SL-121; HSL-SL-221; HSL-SL-321; HSL-SL-421



MODIFICATIONS AVAILABLE:

- front panel colour
- colour of the body
- type of front panel:
 - complete
 - with deposit slot (this option is not available for low lockers)
- type of lock:
 - point lock with key
 - combination lock
- type of hinge:
 - 110 as standard
 - 110 Silent – available at extra cost



TYPE OF BASE UNIT:

- levelling feet (when the module is placed directly on the floor)
- metal base (when the module is placed directly on the floor)



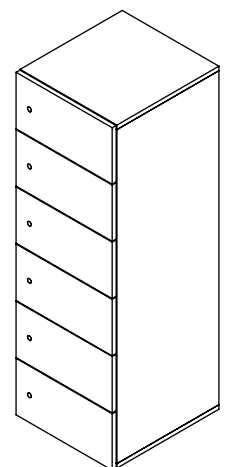
ADDITIONAL OPTIONS:

- card holder for point lock
- card holder for combination lock



EXCLUSIONS AND RECOMMENDATIONS

- maximum shelf load – 15 kg
- maximum height of stacked modules – 5OH
- maximum height of a module on a metal base that is not placed against the wall – 4OH
- in case of 5OH height, the manufacturer recommends placing the modules against a wall and screwing the modules standing sideways to each other
- in case of 4OH height the manufacturer allows for free-standing modules and screwing the modules standing sideways to each other
- a metal base cannot be used for 1OH and 4OH modules
- maximum permissible extension of the levelling feet – 10 mm
- when the modules are stacked on top of each other, it is necessary to screw them together from the top of one and the bottom of the other using the screws provided



SAFETY INSTRUCTIONS

hushlock

AVAILABLE INDICES: HSL-SA-127; HSL-SA-227; HSL-SA-327; HSL-SA-427



MODIFICATIONS AVAILABLE:

- front panel colour
- colour of the body
- colour of the handle
- type of hinge
 - 110 as standard
 - 110 Silent – available at extra cost



STANDARD EQUIPMENT:

- point lock
- door handles



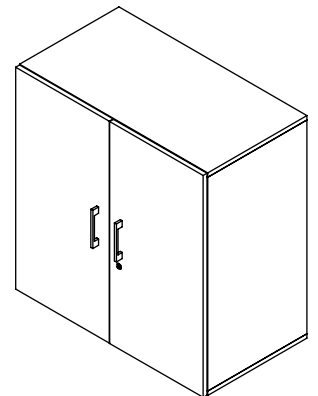
TYPE OF BASE UNIT:

- levelling feet (when the module is placed directly on the floor)
- metal base (when the module is placed directly on the floor)



EXCLUSIONS AND RECOMMENDATIONS

- maximum shelf load – 15 kg
- maximum height of stacked modules – 5OH
- maximum height of a module on a metal base that is not placed against the wall – 4OH
- in case of 5OH height, the manufacturer recommends placing the modules against a wall and screwing the modules standing sideways to each other
- in case of 4OH height the manufacturer allows for free-standing modules and screwing the modules standing sideways to each other
- a metal base cannot be used for 1OH and 4OH modules
- maximum permissible extension of the levelling feet – 10 mm
- when the modules are stacked on top of each other, it is necessary to screw them together from the top of one and the bottom of the other using the screws provided



SAFETY INSTRUCTIONS

hushlock

AVAILABLE INDICES: HSL-SP-337



MODIFICATIONS AVAILABLE:

- front panel colour
- colour of the body
- colour of the handle



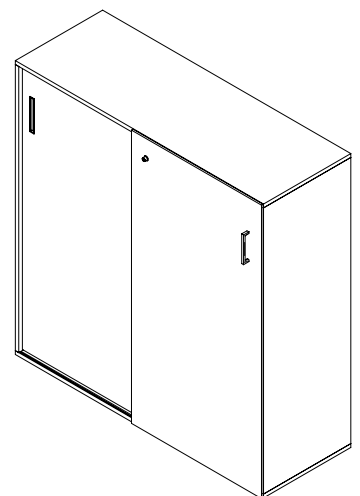
STANDARD EQUIPMENT:

- point lock
- door handles
- levelling feet



EXCLUSIONS AND RECOMMENDATIONS

- maximum shelf load – 15 kg
- the manufacturer does not recommend placing on the cabinet:
 - a locker module
 - file cabinet module
 - pot holders
- maximum permissible extension of the levelling feet – 10 mm



SAFETY INSTRUCTIONS

hushlock

AVAILABLE INDICES: HSL-SI-129



MODIFICATIONS AVAILABLE:

- front panel colour
- colour of the body
- type of front panel
 - complete
 - with deposit slot
- colour of the handle (if the full front is chosen)



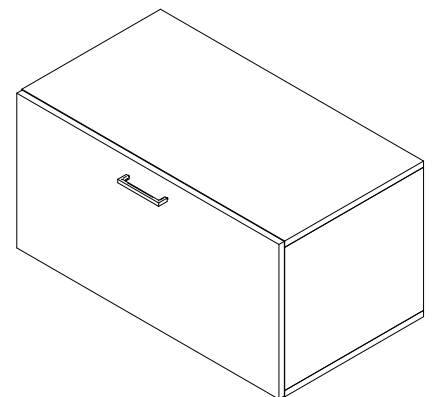
STANDARD EQUIPMENT:

- levelling feet



EXCLUSIONS AND RECOMMENDATIONS

- maximum drawer load – 15 kg
- maximum permissible extension of the levelling feet – 10 mm
- when the modules are stacked on top of each other, it is necessary to screw them together from the top of one and the bottom of the other using the screws provided



SAFETY INSTRUCTIONS

hushlock

AVAILABLE INDICES: HSL-SU-328; HSL-SU-428



MODIFICATIONS AVAILABLE:

- front panel colour
- colour of the body
- colour of the hinge
- type of hinge
 - 110 as standard
 - 110 Silent – available at extra cost



TYPE OF BASE UNIT:

- levelling feet (when the module is placed directly on the floor)
- metal base (when the module is placed directly on the floor)



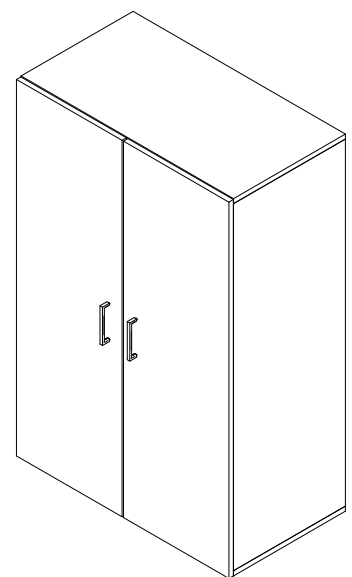
STANDARD EQUIPMENT:

- hanger and handle as standard
- inner shelf made of 18 mm thick board
- door handles



EXCLUSIONS AND RECOMMENDATIONS

- maximum height of stacked modules – 5OH
- maximum height of a module on a metal base that is not placed against the wall – 4OH
- in case of 5OH height, the manufacturer recommends placing the modules against a wall and screwing the modules standing sideways to each other
- in case of 4OH height the manufacturer allows for free-standing modules and screwing the modules standing sideways to each other
- maximum permissible extension of the levelling feet – 10 mm
- when the modules are stacked on top of each other, it is necessary to screw them together from the top of one and the bottom of the other using the screws provided



SAFETY INSTRUCTIONS

hushlock

AVAILABLE INDICES: HSL-SI-115; HSL-SI-116; HSL-SI-125; HSL-SI-126; HSL-SI-225; HSL-SI-226



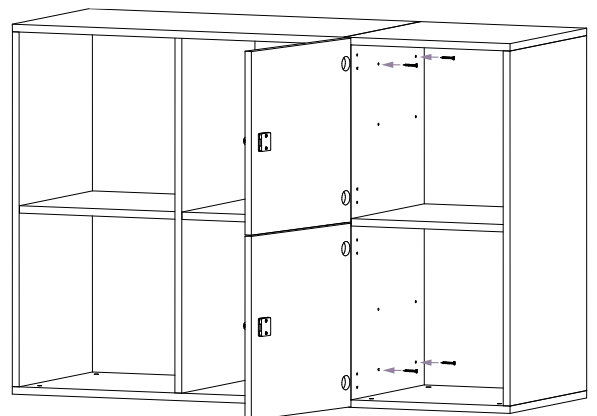
MODIFICATIONS AVAILABLE:

- colour of the body



EXCLUSIONS AND RECOMMENDATIONS

- **IMPORTANT NOTICE!** The manufacturer allows pass-through modules without a rear wall to be placed only between the cabinet and locker modules, and the modules standing sideways to each other to be screwed together.
- open modules are modules that can be placed on top of other cabinets and locker modules. The manufacturer does not allow to place on top of open modules: filing cabinets, lockers, clothes cabinets or plant pots.
- when the modules are stacked on top of each other, it is necessary to screw them together from the top of one and the bottom of the other using the screws provided.



SAFETY INSTRUCTIONS

hushlock

AVAILABLE INDICES: HSL-SI-325



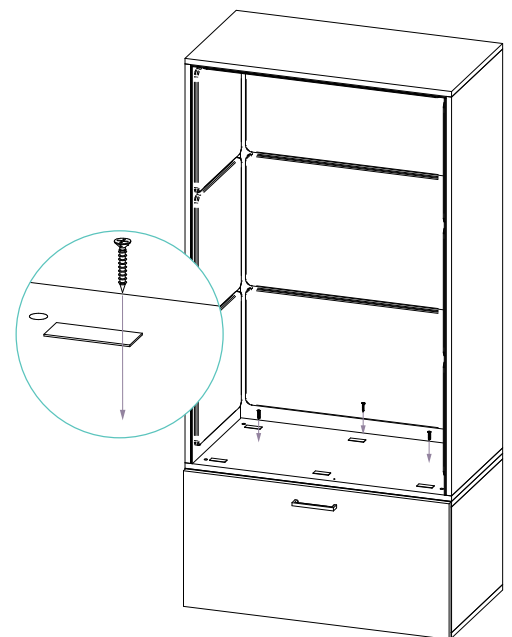
MODIFICATIONS AVAILABLE:

- colour of the body
- colour of the felt panels



EXCLUSIONS AND RECOMMENDATIONS

- the module with felt panels and a seat is designed to be placed above a module with a drawer
- the manufacturer recommends using the module with felt panels and a seat between the locker module and the cabinet module, as well as screwing together the modules standing sideways to each other.
- maximum height of stacked modules – 5OH (module + base with drawer + module 1OH or pot holders)
- in the case of a height of 5OH, the manufacturer recommends placing the modules against the wall and screwing them together side by side
- in case of 4OH height the manufacturer allows for free-standing modules and screwing the modules standing sideways to each other
- maximum permissible extension of the levelling feet – 10 mm
- maximum permissible extension of levelling feet in the presented furniture set – 10 mm
- when the modules are stacked on top of each other, it is necessary to screw them together from the top of one and the bottom of the other using the screws provided



hushoffice



hushoffice.com

SAFETY INSTRUCTIONS

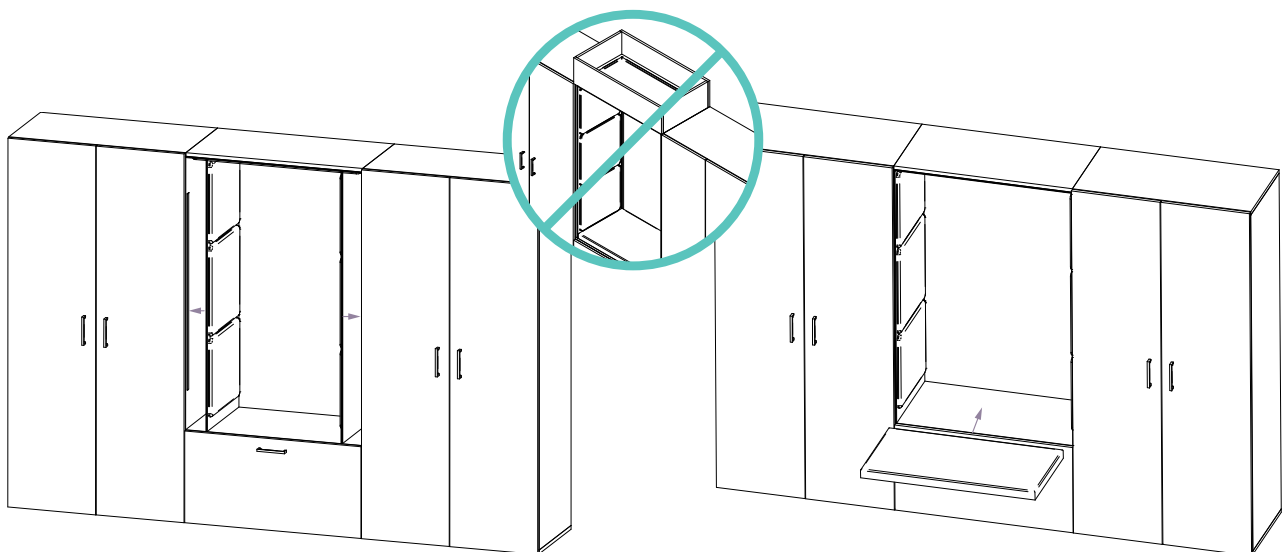
hushlock

AVAILABLE INDICES: AKC-IN-007



EXCLUSIONS AND RECOMMENDATIONS

- the set is designed to accommodate a free space of 4OH height between the cabinets
- the upholstered seat is to be fixed to the drawer module with velcro strips
- felt panels are to be attached to the cabinets sides with velcro strips
- **IMPORTANT NOTICE!** The manufacturer does not recommend placing the 1OH module and the pot holder on the top panel with the felt panel available in the set



SAFETY INSTRUCTIONS

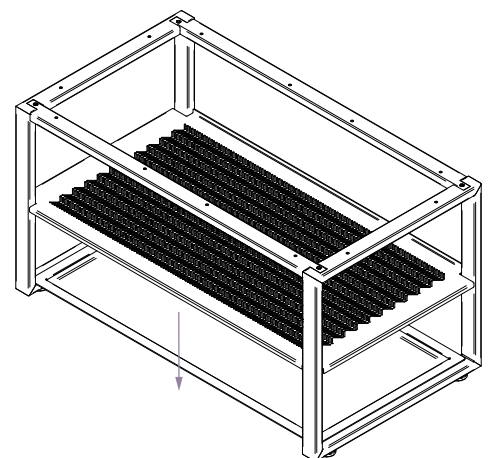
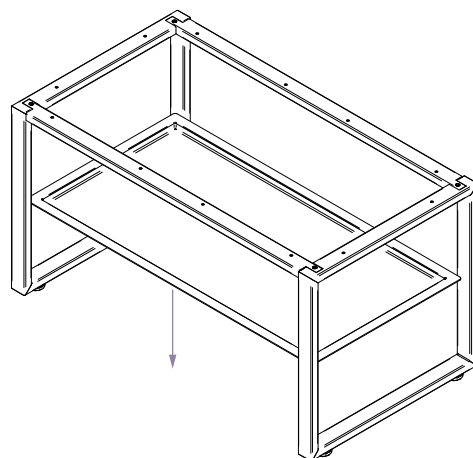
hushlock

AVAILABLE INDICES: AKC-IN-001; AKC-IN-004



EXCLUSIONS AND RECOMMENDATIONS

- perforated metal shelves with draining board are to be installed on a metal base
- maximum shelf load – 15 kg



hushoffice



hushoffice.com