



hushphone

mikomax
smart office.

Office phone calls have
never been so comfortable



Hush
acoustic
office
solutions

hushoffice.com/us

We provide individual, mobile office spaces, so you can replace stress and noise with peace and quiet.

The perfect space for phone calls, video conferencing and a silent retreat for uninterrupted work, offering peace, privacy and efficient conversations.

■ Hush Phone is the perfect place for:



Private videoconferences



Trade negotiations



Confidential phone conversations

■ Product specification



Compact

- occupies less than 1 square meter
- Weight: 705lbs



Functional

- LED lighting
- air ventilation
- folding laptop table
- 110v & USB sockets



Comfortable to use

- ergonomic armrest
- movement sensor
- rear wall made of glass



Easily adaptable

- left/right handed door
- quick & easy to assemble
- multiple finishes

■ Certification



Warranty



Made in EU



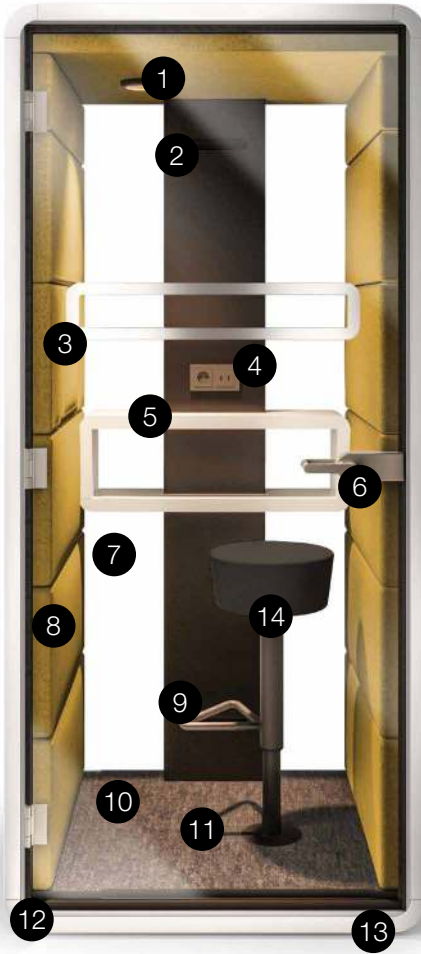
Certificates






Premium wool CAL 117

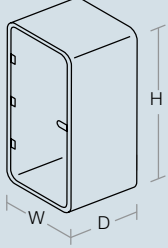
Technical features

- 1 PIR activated ceiling light
- 2 air ventilation (presence sensor activated)
- 3 side fold-away oak laptop table with leather handle 18in x 14in (w,d)
- 4 power module (1x power, 1x USB Type A, 1x USB Type C, 1x RJ45)
- 5 white MDF rear shelf/storage 31in x 7in x 11in (w,d,h)
- 6 acoustic laminated glass door with anodized aluminum latch handle
- 7 clear or frosted rear glass wall
- 8 removable acoustic fabric tiles
- 9 air ventilation (presence sensor activated)
- 10 integral carpeted floor
- 11 5 foot cable with 110v plug
- 12 optional seismic floor fixing
- 13 adjustable levelling feet
- 14 optional integrated stool



- +  compact height of 87 in
- +  excellent sound absorption
- +  strong frame construction

Dimensions:

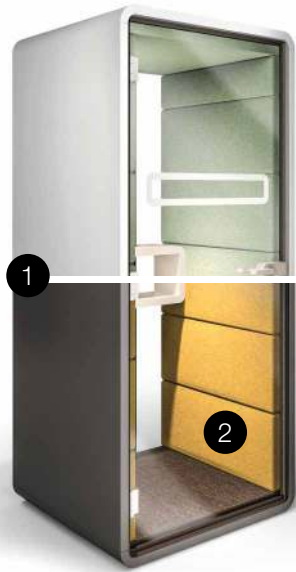


exterior	interior
W: 39 in	W: 30.66 in
D: 35 in	D: 33 in
H: 87 in	H: 79.13 in

Weight:
705 lbs



Finishes



1 MFC Exterior



2 Premium Wool Interior



3 Central column



4 Rear glass



5 Aluminium profiles



6 Stool



7 Hinge/door handle



Mark Bailey
Mikomax US President

Anjul Chandi
Sales & Marketing

e: mbailey@hushoffice.com
p: +44 7585 320160
p: +1 (646) 968-0724

e: achandi@hushoffice.com
p: +44 7730 567973
p: +1 (646) 968-0724



hushoffice.com/us

mikomax
smart office.